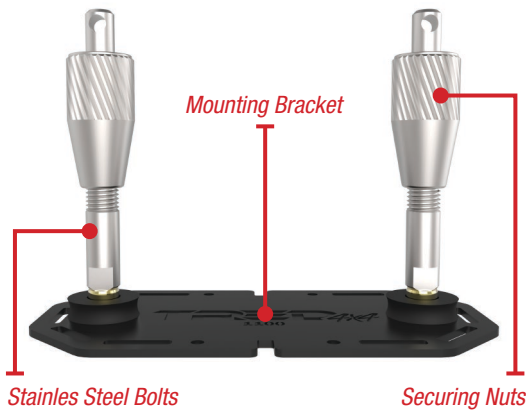


# TRED

TOTAL RECOVERY & EXTRACTION DEVICE

## 1100 MOUNTING KIT GUIDE

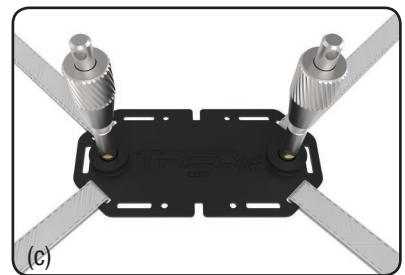


Introducing the revolutionary TRED mounting bracket specifically designed for the quick and secure storage of your recovery boards. The TRED mounting kit includes everything you might need to get started on customizing your personal TRED mounting solution (more details over page).

The heavy duty base plate is manufactured from an easy to work with material making it very simple to drill holes to suit your requirements in the event of more complex mounting positions. To give you an idea of how to apply the bracket to your own vehicle, three of the most common solutions for rack/rail mounting are shown on the reverse side of this page.



**THE BRACKET IS DESIGNED TO HOLD ONE PAIR OF 1100 TREDS**



The bracket has been designed to accept (a) self-tapping screws or bolts, (b) heavy duty cable ties and (c) straps as the easiest forms of installation. The design also allows for customised builds such as rack mounting or swing down bracket mountings.

**IMPORTANT:** Before purchasing this mounting kit, please note that its installation may require some fabrication to your vehicle and/or its accessories. We recommend that all fabrication work is carried out by a qualified person. For the best securing result, we recommend the use of (2) two mounting kits per pair of TRED's.

Please turn over for bracket mounting options



# COMMON MOUNTING OPTIONS

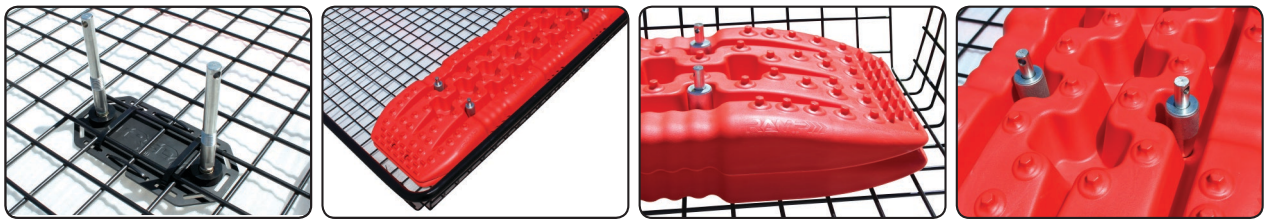
## TRADITIONAL ROOF-RACK BARS

The TRED mounting bracket can be fitted to most traditional roof bars systems using either U clamps, screws or cable ties. For roof bars with internal tracking or mounting points, the bracket can be fitted using suitable mounting bolts/screws. In some instances slight modifications may be required to the mounting bracket.



## CAGE STYLE ROOF-RACKS

The TRED mounting bracket can be fitted to most Cage-Style roof racks. Carefully position the mounting bracket under the base of the cage and with the mounting posts facing upwards, pass the posts through the mesh until the bracket is flush with the base of the cage. Simply cable tie the unit securely into place. Once the first bracket is in correctly in place, slide your TREDs over the bolts to help you accurately locate where the second bracket should be located, if required.

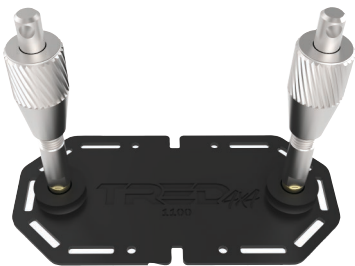


## TRAY STYLE ROOF-RACKS

The TRED mounting bracket can be easily attached to most Tray-Style roof racks using either cable ties or by using the manufacturers track mounting screws/bolts used on most modern rack systems. The mounting bracket can also be positioned onto the side of certain racks by using optional brackets usually supplied by the rack manufacturer. Once the first bracket is in correctly in place, slide your TRED's over the bolts to help you accurately locate where the second bracket should be located, if required.



The TRED mounting bracket can also be fitted to the side of the roof rack.



## EACH KIT INCLUDES

- 1 x 3mm plate alloy steel bracket with threaded nut inserts
- 2 x Stainless Steel locating pins
- 2 x Stainless Steel securing nuts
- 2 x Urethane anti-vibration rings

We recommend the use of two mounting kits per pair of TRED's.

**IMPORTANT:** When installing the bracket for the first time, the stainless steel bolt should be spanner tightened to the based bracket using a 10mm spanner or small shifter to lock in place as a semipermanent fixture. This will allow the handles to be removed without removing the bolt. The bolt includes a pad lockable feature also for ensuring that your TREDs remain safely attached when your vehicle is parked in high traffic areas. This feature will only work effectively if the bolts have been correctly tightened. We also recommend using thread locking fluid or tape for a secure fit.